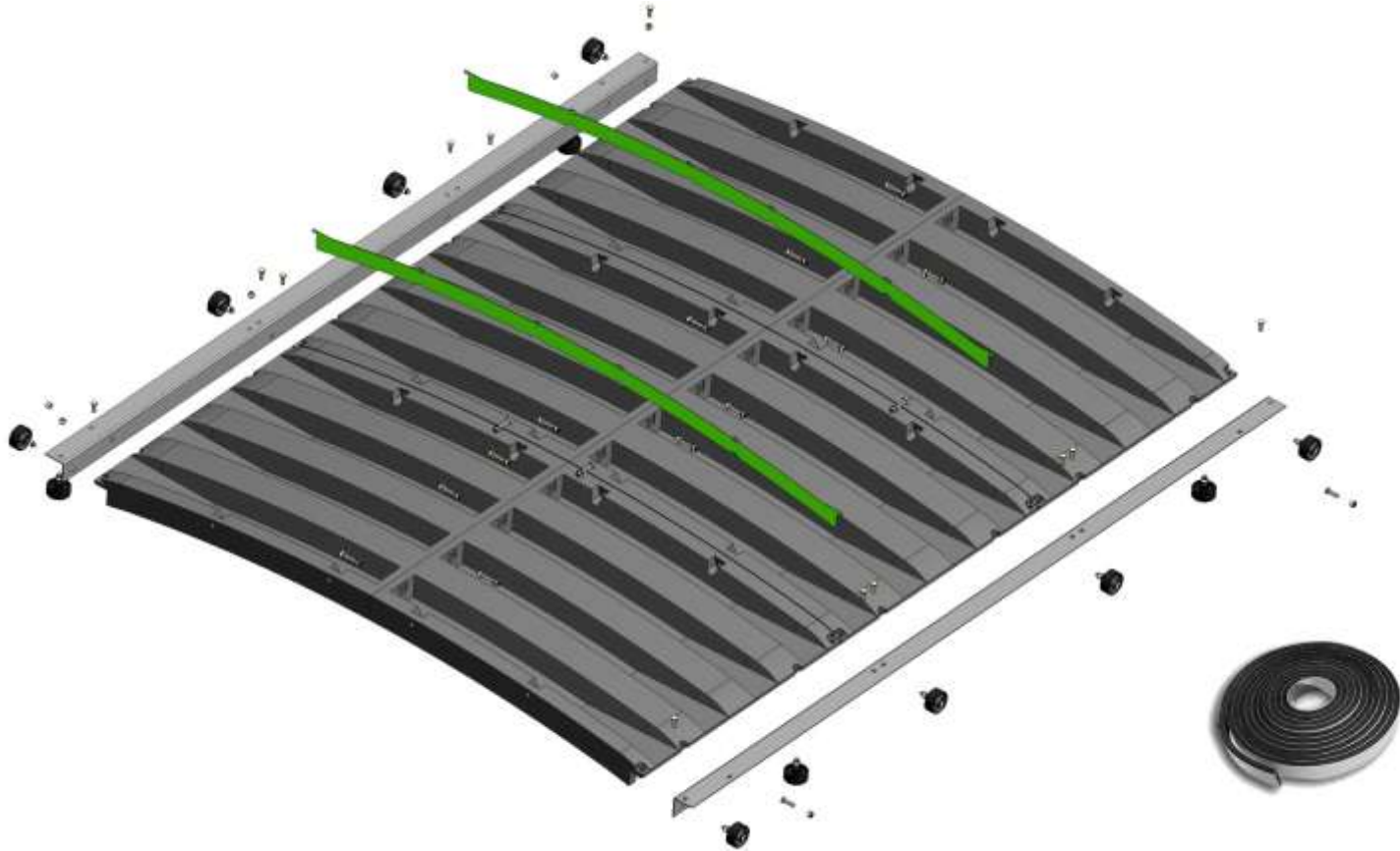


INSTRUCTIONS for ROLLING ROOF ASSEMBLY



**Rolling Roof kit and steelwork etc as supplied by Container Components Europe.
The container used to show assembly details is a model and does not represent
anyone's actual container and is merely a guide to assembly only.**

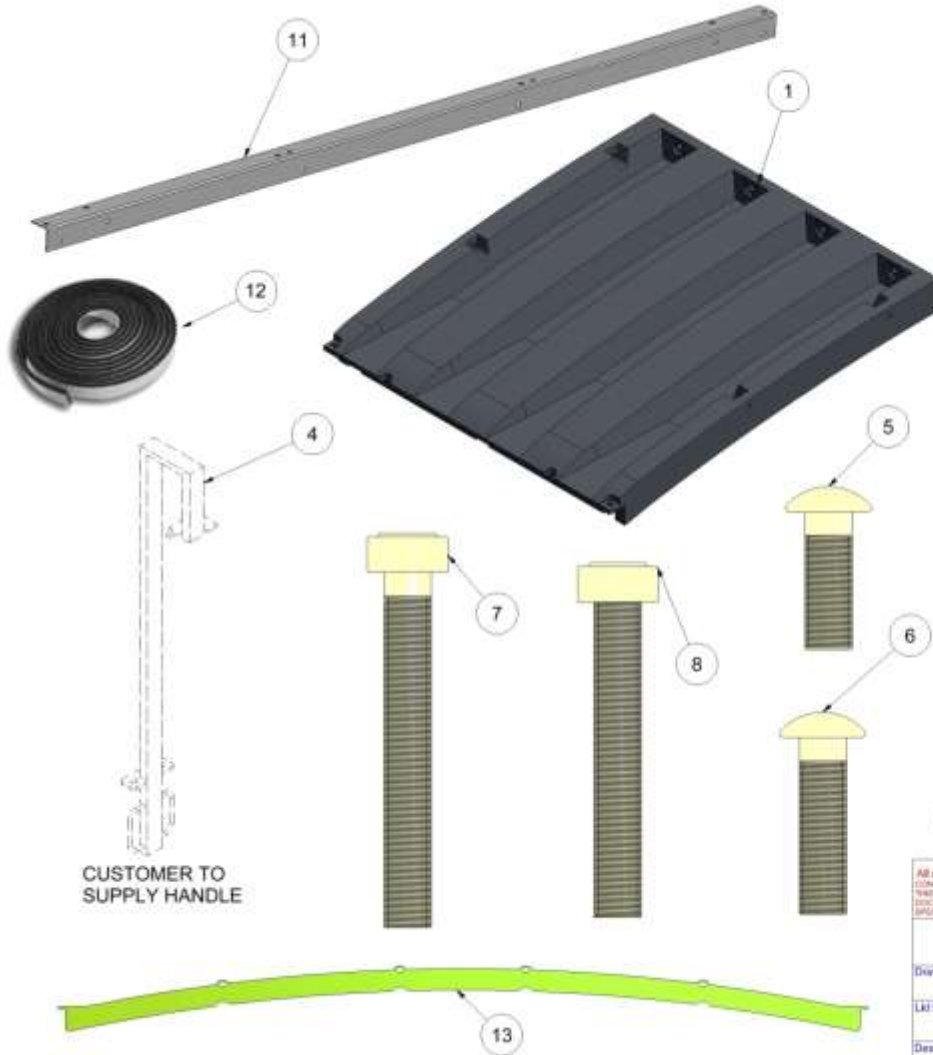


ROLLING ROOF LID SET ASSEMBLY

Please ensure before assembly commences that all components as per parts list are on site and personnel building the lid sets have read and understood the fitting instructions. Personal Protective Equipment should be provided and used at all times.

Container Components Europe Limited

The world lid specialist



CUSTOMER TO
SUPPLY HANDLE

Parts List			
ITEM	QTY	PART NUMBER	DESCRIPTION
1	12	RR4146DM	STD ROOF LID
2	16	RRWPT080	RUBBER TYRED WHEEL
3	8	RRWPO80	POLYPROPYLENE WHEEL
4	1	HANDLE	CUSTOMERS OWN PART
5	24	RRBOLTM12X35	BOLT TO FASTEN LID
6	8	RRBOLTM12X45	BOLT TO FASTEN ANGLE
7	24	RRBOLT12X90	WHEEL BOLT
8	58	RRBOLT12X80	JOINT BOLT
9	188	WASHM12FORMA	STD M12 WASHER
10	114	NUTNYLOCKM12	ST M12 NYLOC NUT
11	4	SIDE ANGLE	3084X80X80X3THK ANGLE
12	2	SEALING TAPE	10M ROLL LENGTH
13	4	ARCH PLATE	STRENGTHENING ARCH
14	24	NUTM12BZP	M12 NUT

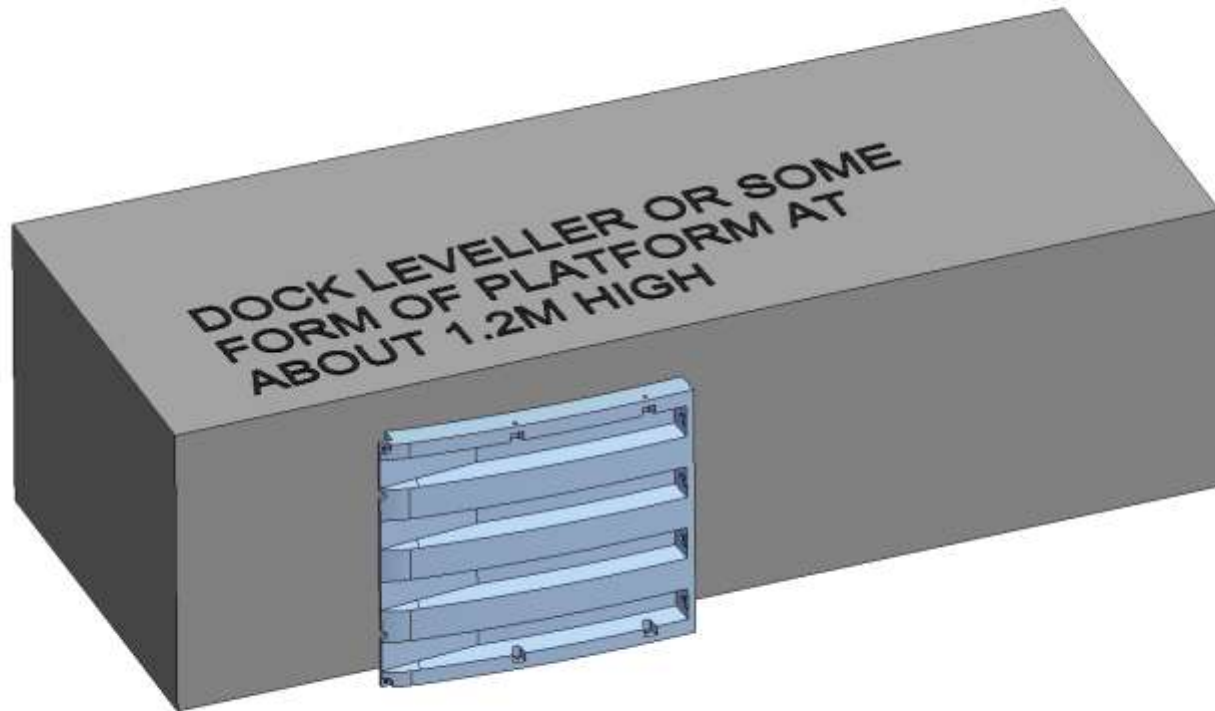
All dimensions in millimeters. Do not scale.
CONTAINER COMPONENTS PROPRIETARY RIGHTS ARE RESERVED BY THE INFORMATION DISCLOSED HEREIN, NEITHER THIS DOCUMENT NOR THE INFORMATION DISCLOSED HEREIN SHALL BE REPRODUCED OR TRANSMITTED TO OTHER DOCUMENTS OR BE USED OR DISCLOSED TO OTHERS FOR REPRODUCTION OR FOR ANY OTHER PURPOSE WITHOUT AN EXPRESSLY AUTHORIZED IN WRITING BY CONTAINER COMPONENTS, INC.

CONTAINER COMPONENTS EUROPE

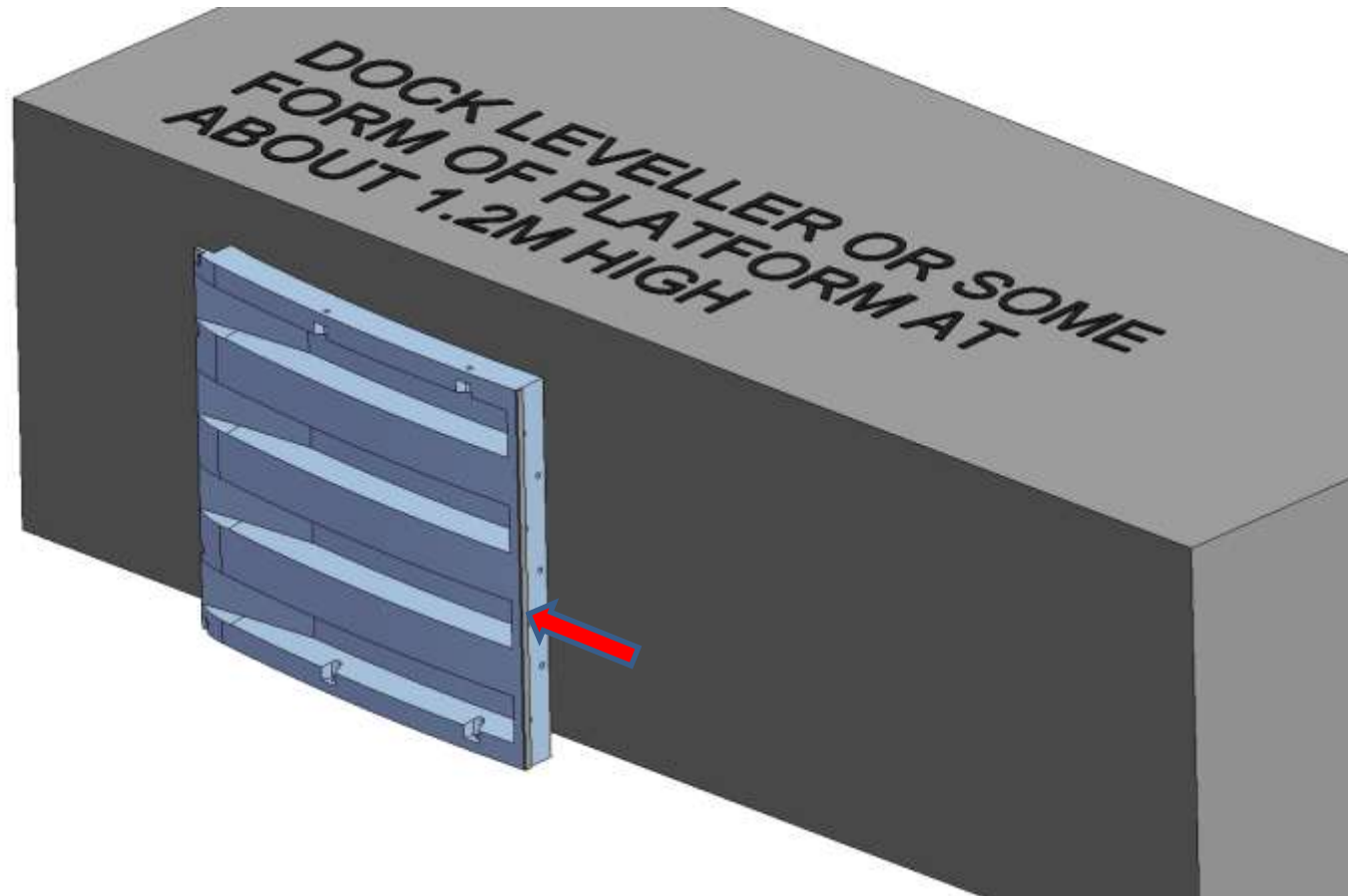
Drawn by D.MARTIN	Designed by M.D.HOLMES	Approved by M.D.H	Date 07/03/2012
Lid Ref: Lids used in assembly RR4146			SN 2 of 5
Description: ROLLING ROOF PARTS LIST			Rev A



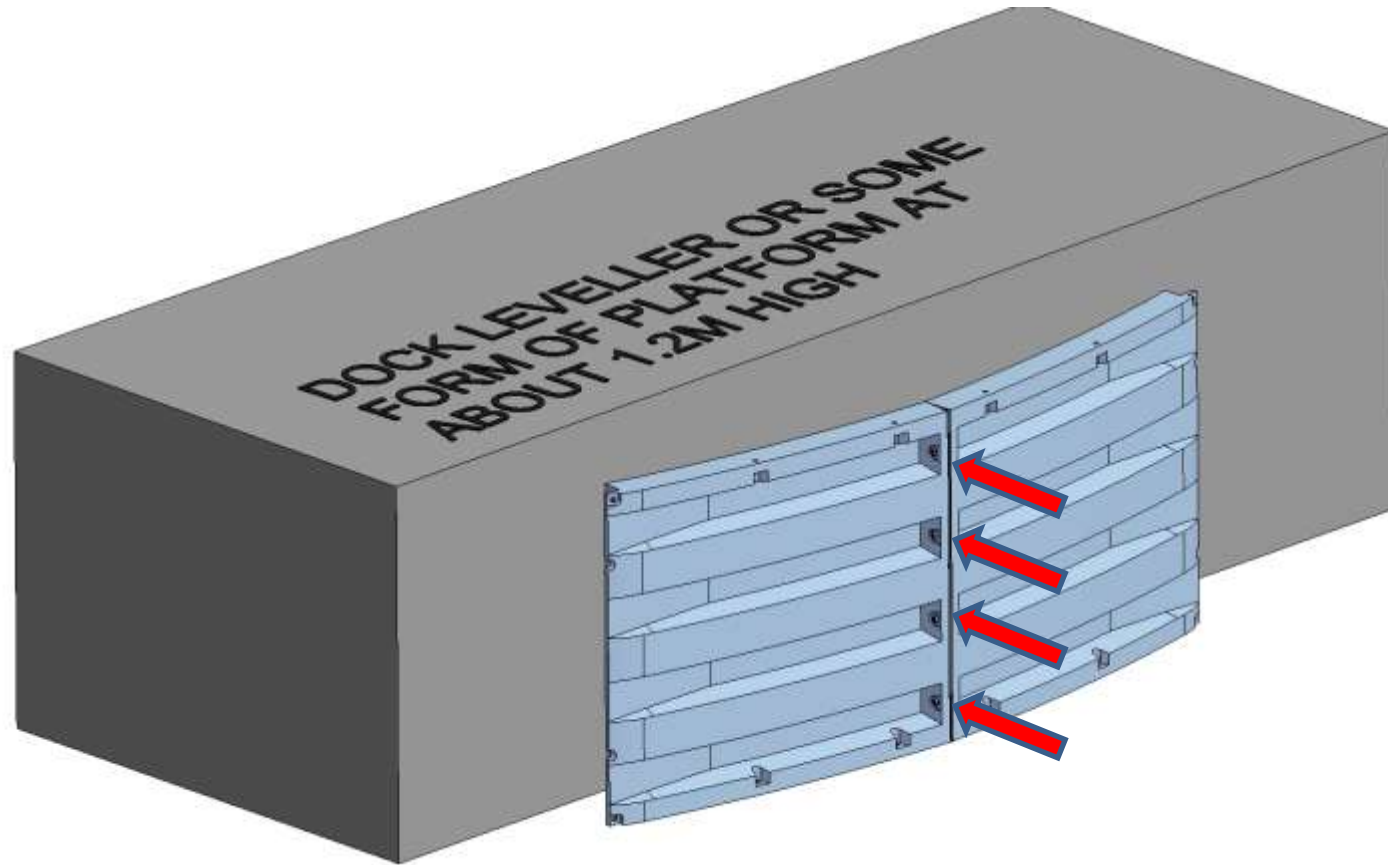
To assemble the STD lid sections you will need:- 19mm socket and wrench, a "rats-tail" spanner or taper drift, hammer and a 19mm ring spanner. Ensure a roll of seal strip is available as per kit list. The ideal place to assemble is at the side of a dock loader or a safe raised platform of some kind around 1200mm high. It is necessary to have two men do this task as the sections need to be held steady during assembly and care must be taken at all times.



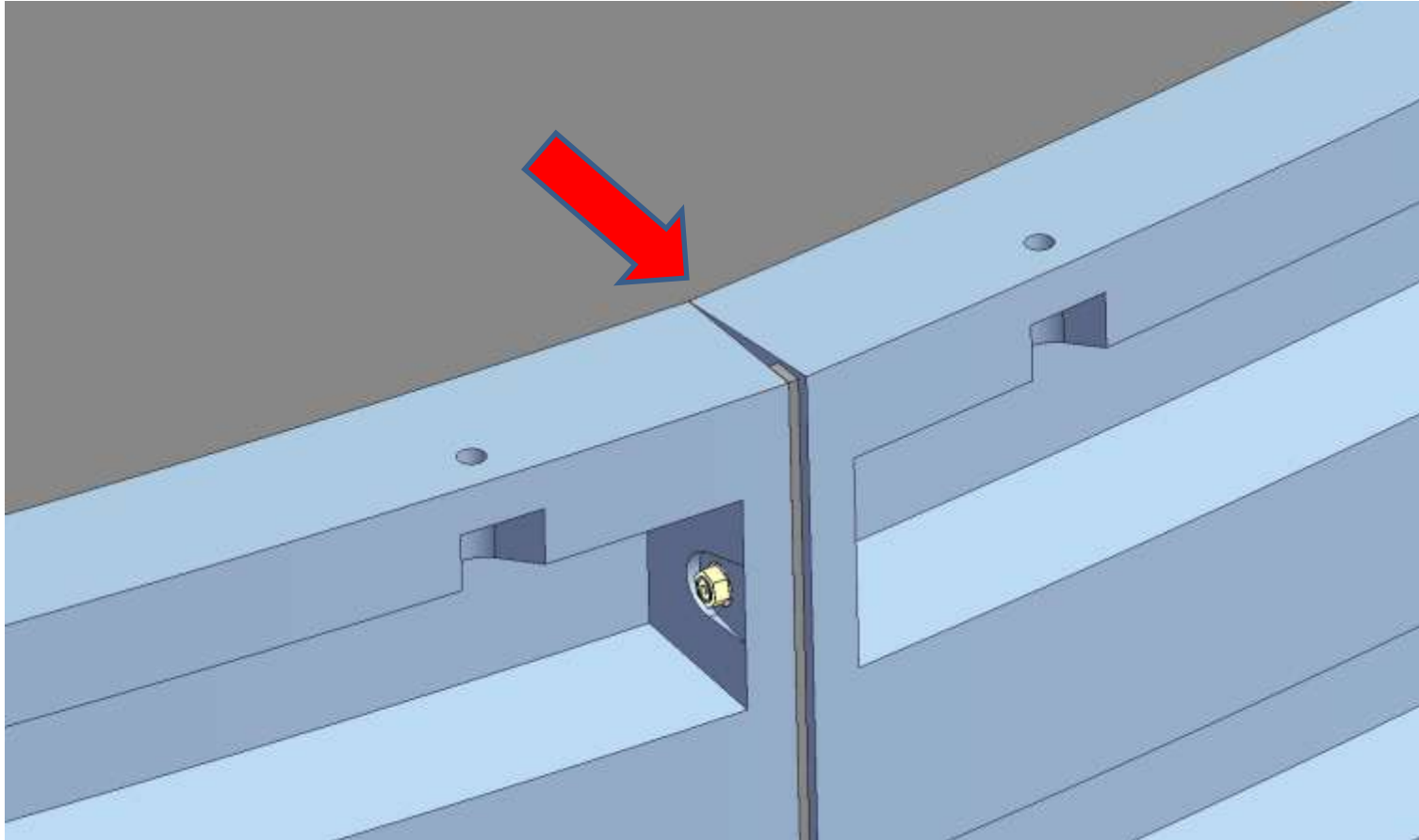
Place first lid on its side as shown.



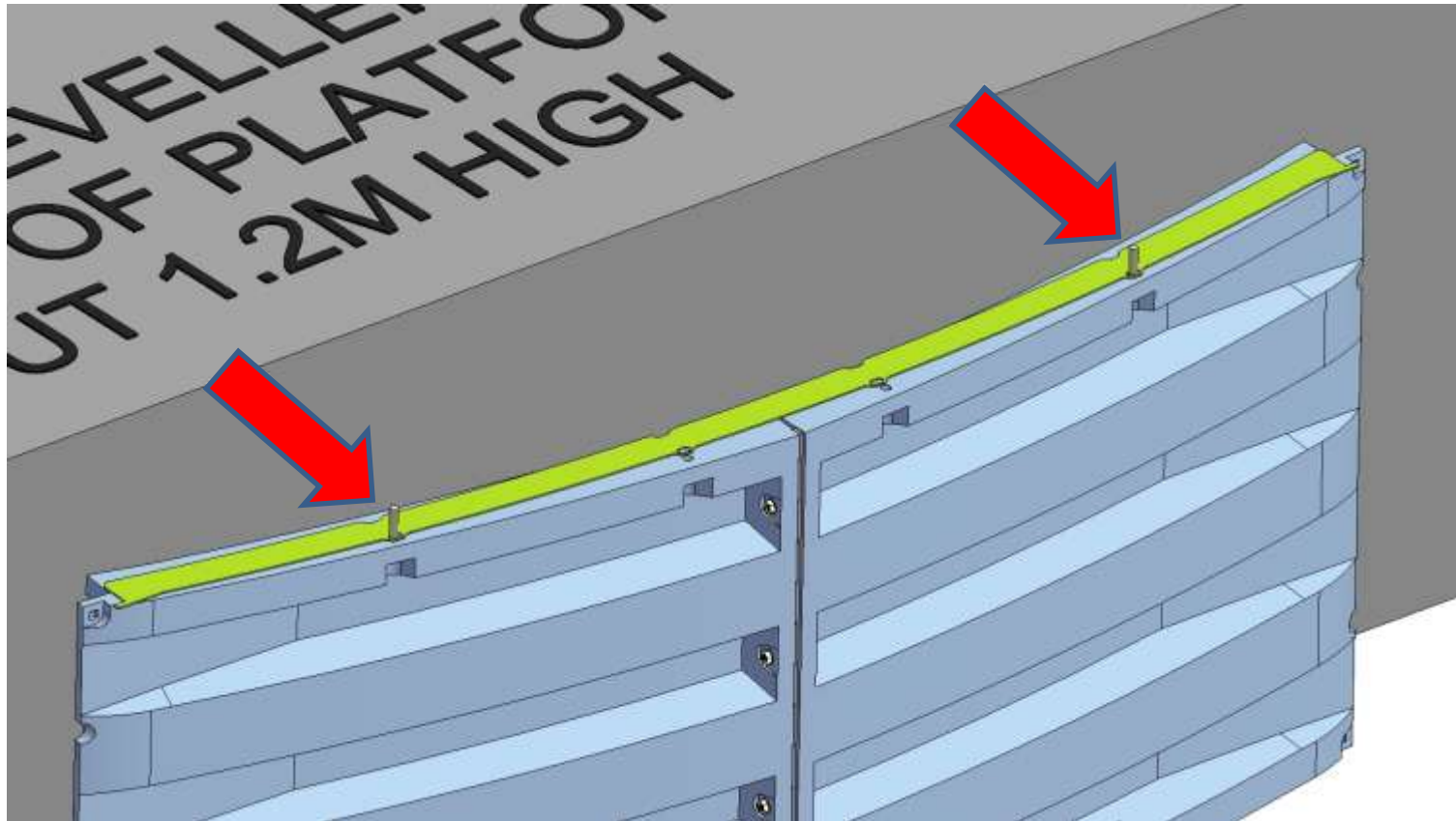
Attach the seal strip down the side of the lid, keep flush with top and each end.



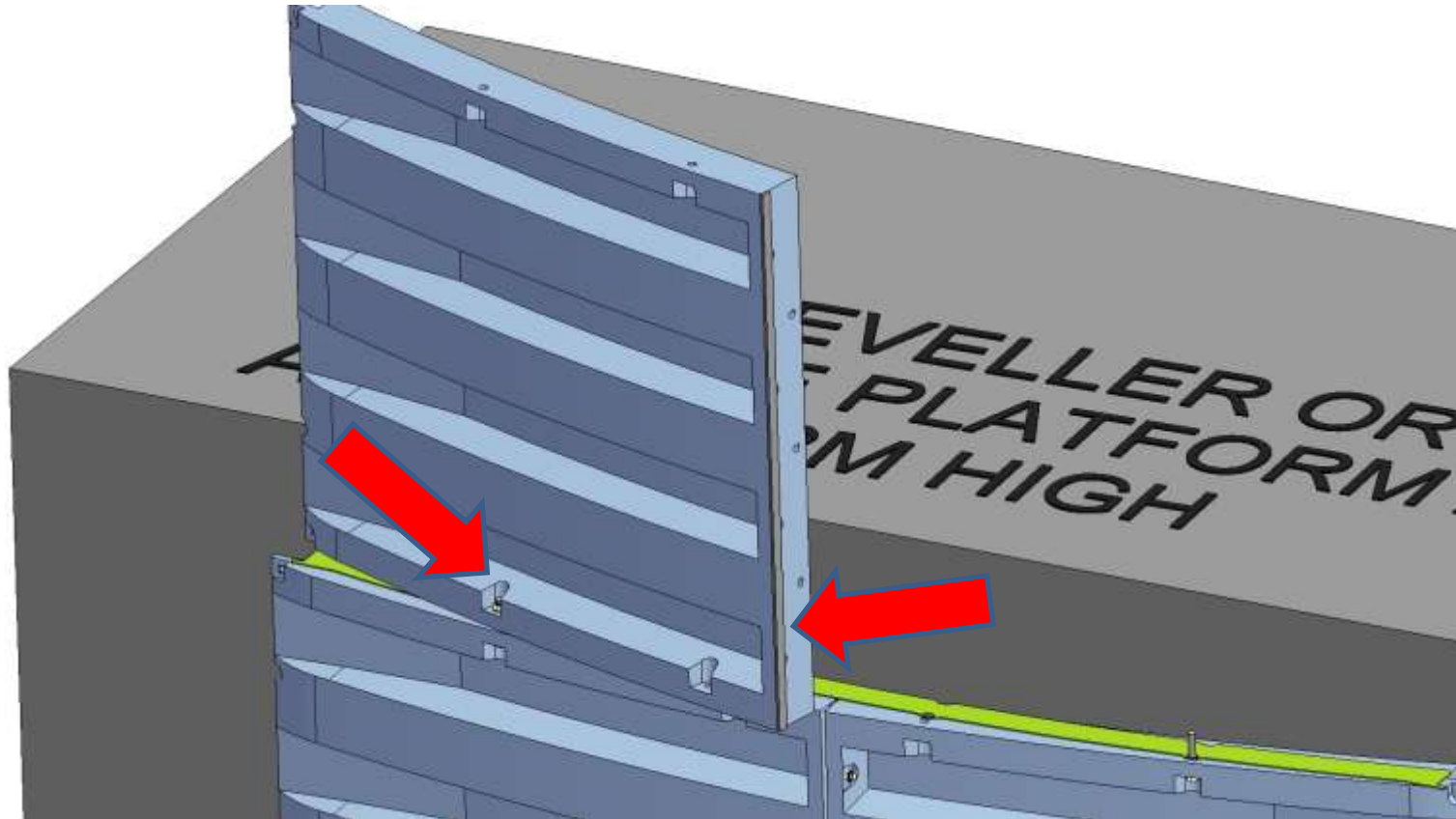
Position second lid as shown and put the joint bolts in, but leave very loose.



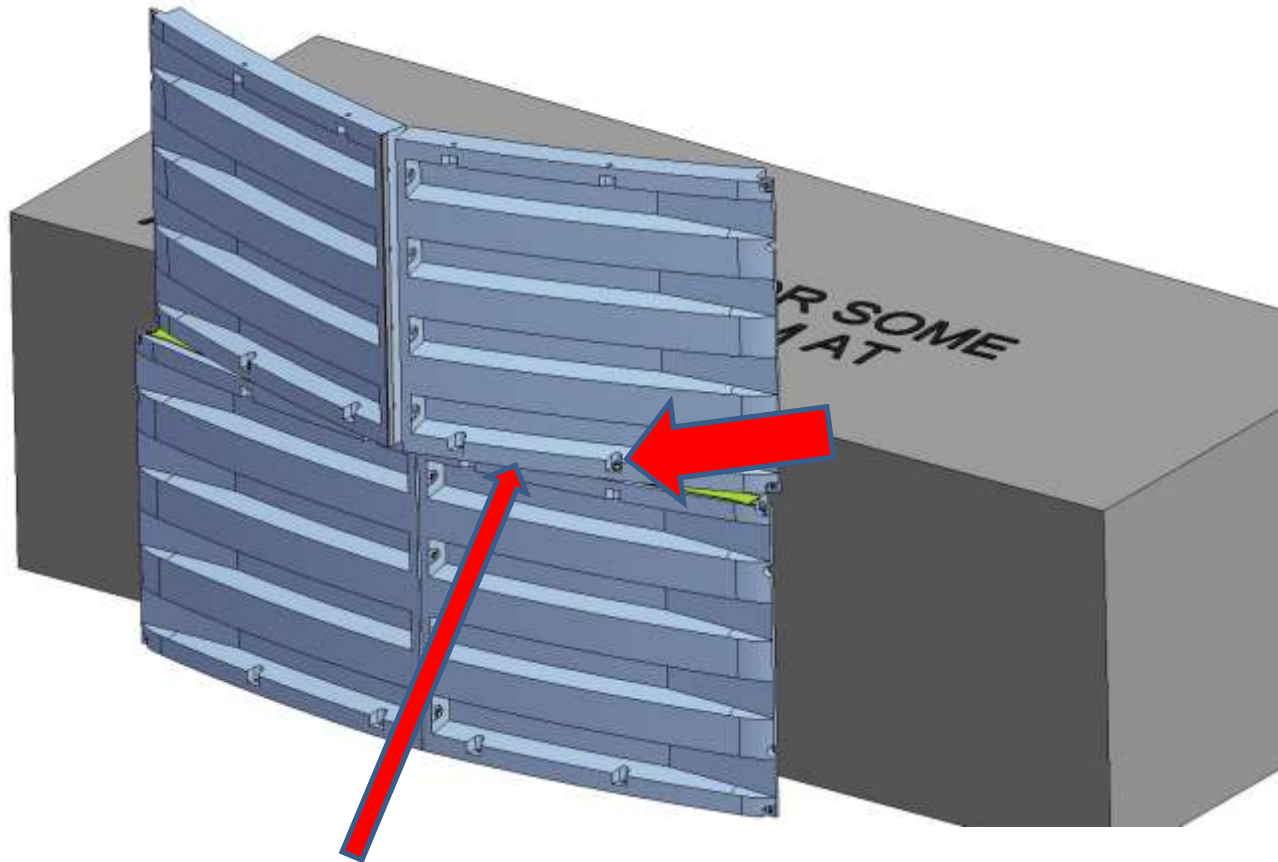
Flex the lids so that a wedge shape gap appears in centre on joint, and lids are touching at the base.



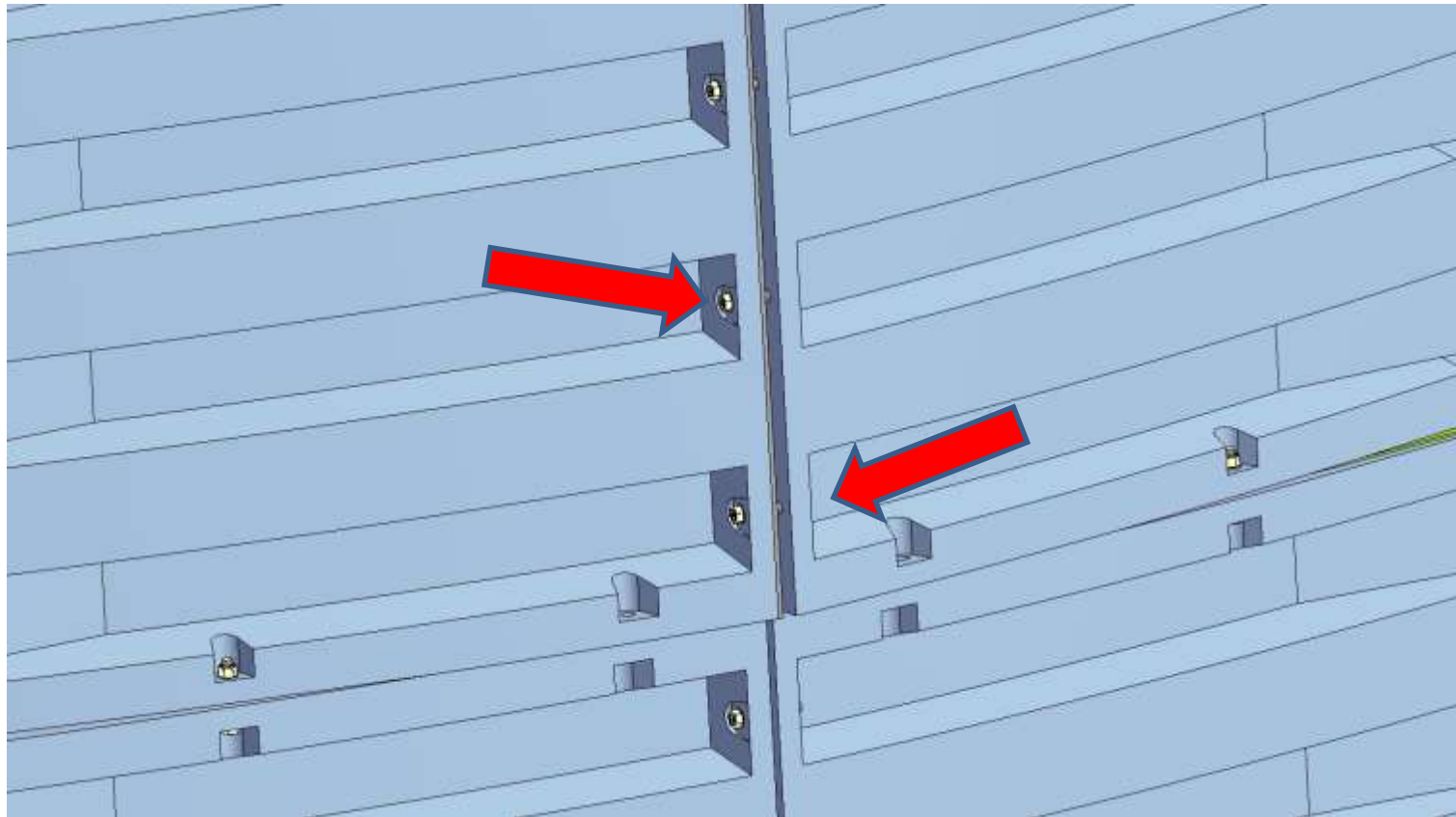
Place arch section on top, flex joint till the two end holes are in line and pop bolts through (uphill). These bolts should "hold in" once you let go. Don't worry about the other two holes at this stage.



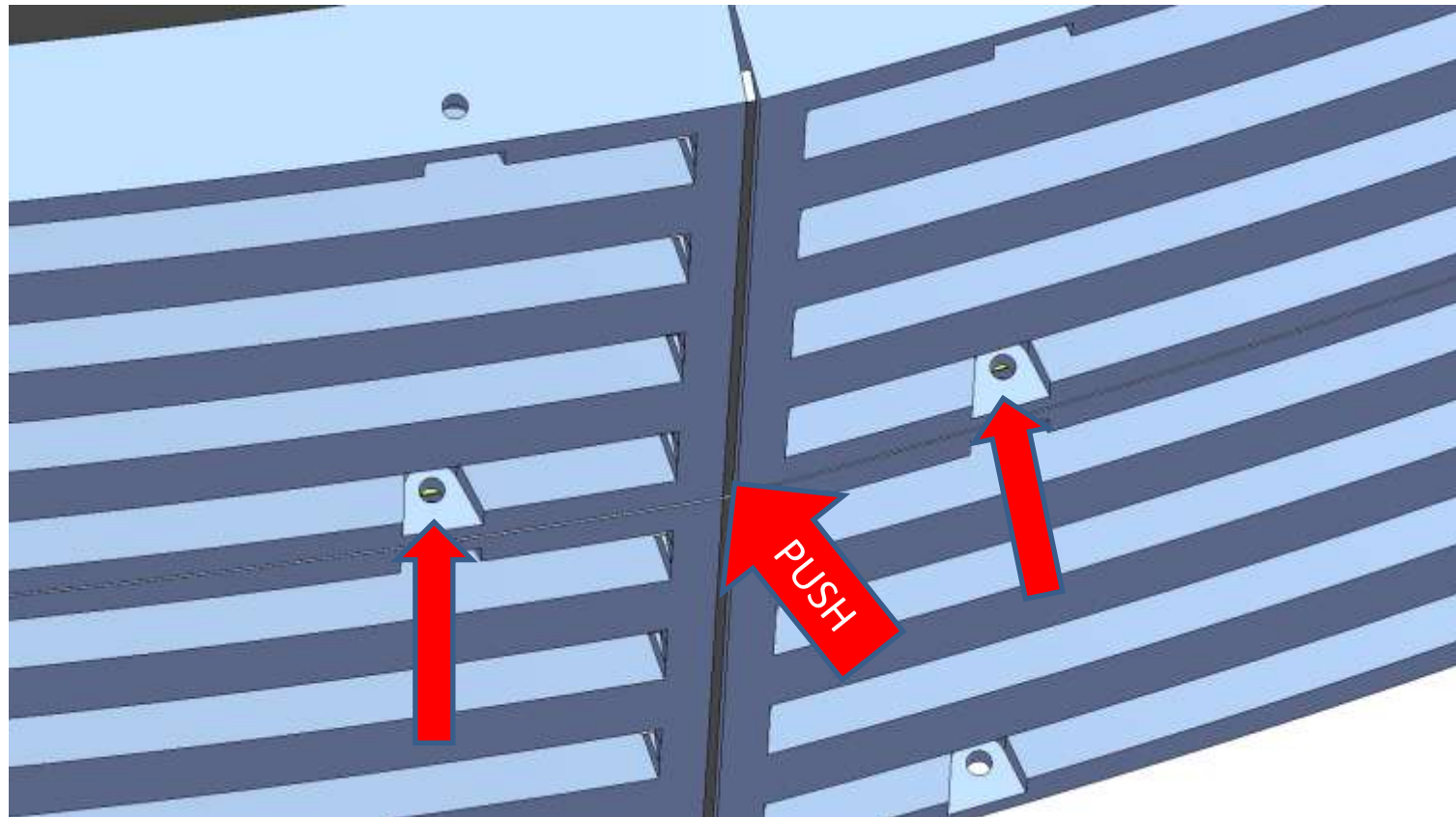
Ensure seal strip is fitted to the base and side of third lid and then place as shown. Gently position lid over bolt and fit nut loosely. Leave lid as shown with the vertical joint end stuck out.



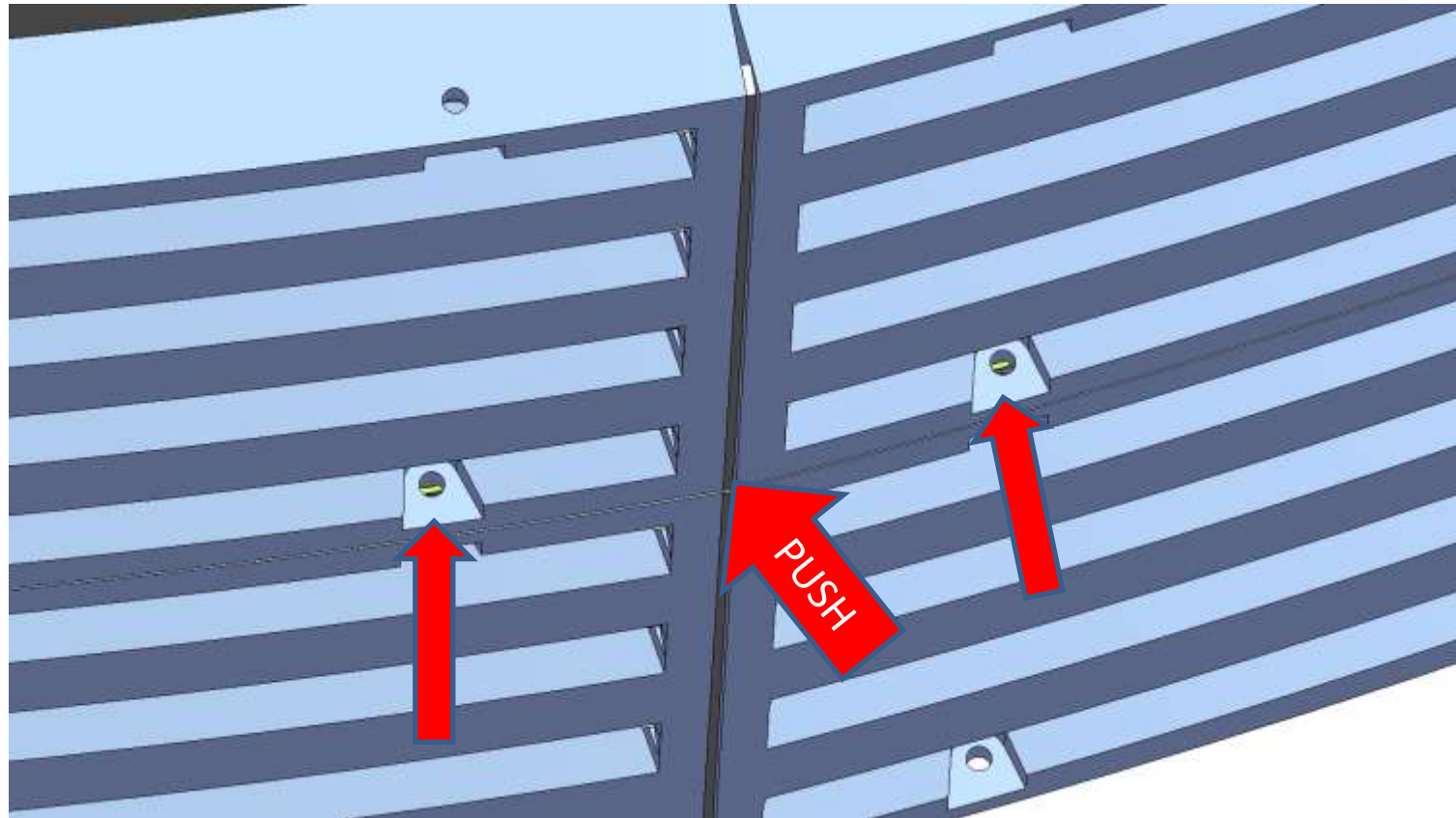
Fit seal to base of fourth lid and gently position over the bolt as before and attach the nut. Position lid opposite hand to the third lid, ready for bolts.



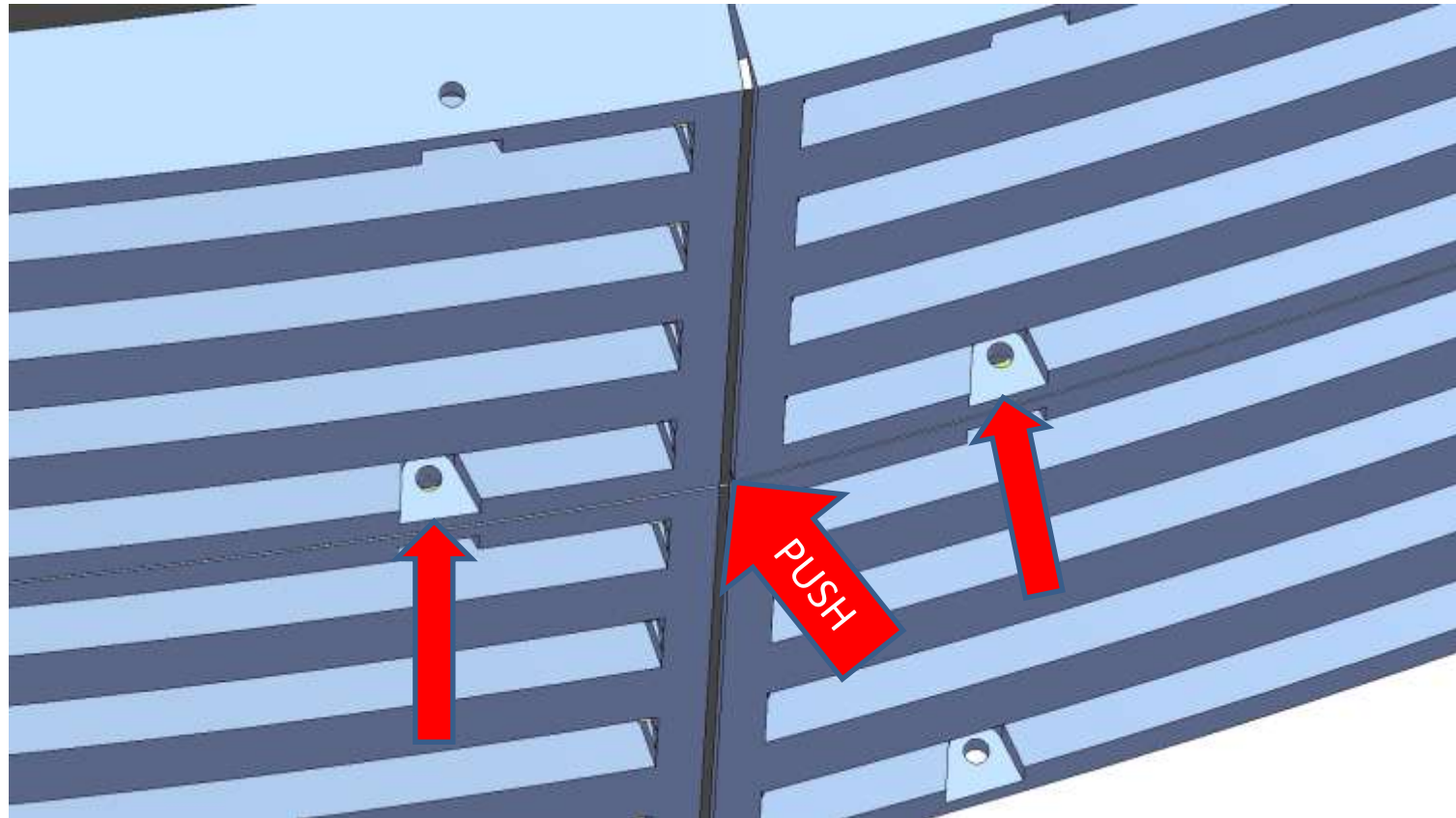
Fit all joint bolts loosely between the vertical joint.



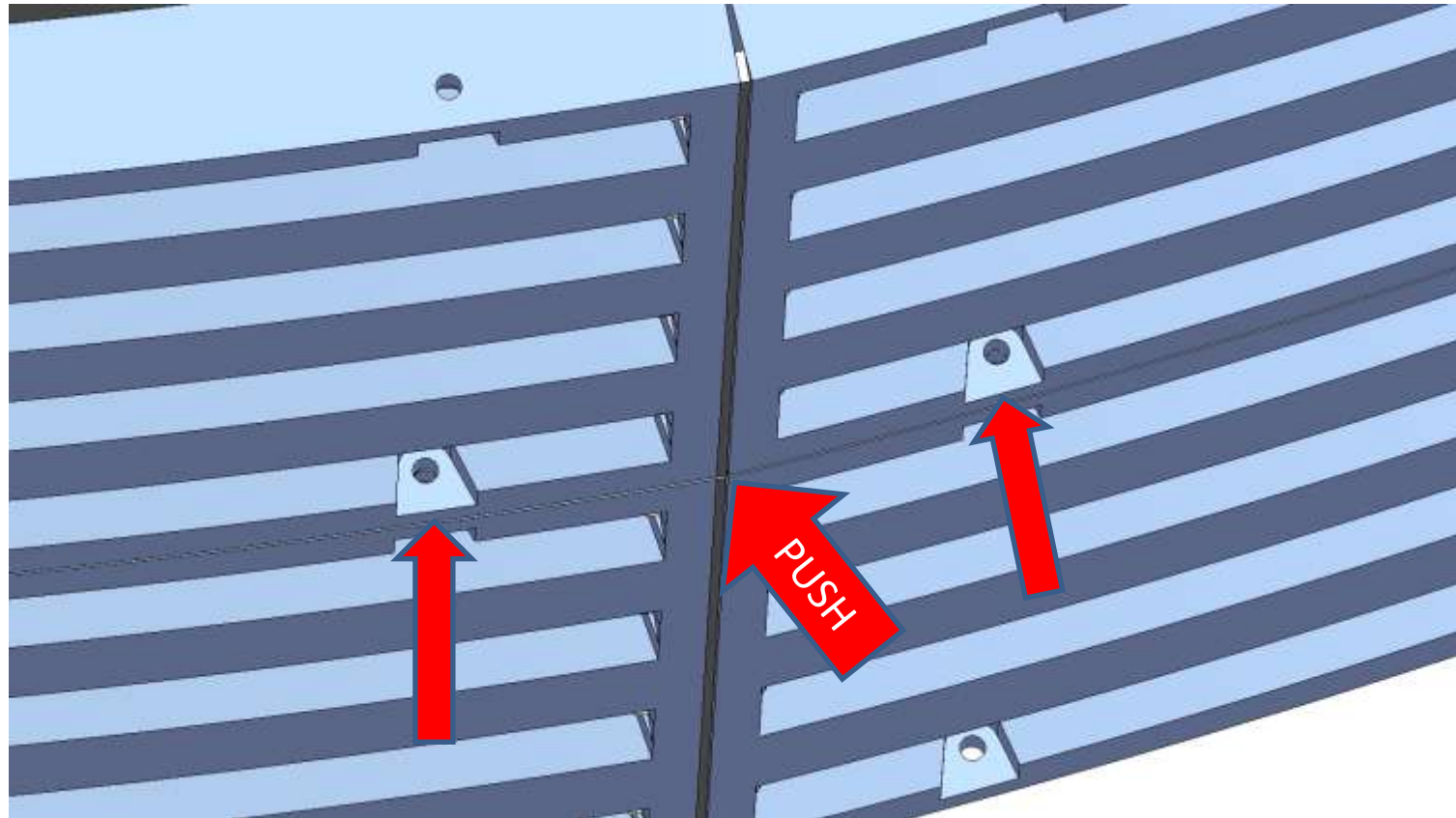
Now when you look at the two remaining bolt holes which also secure the arch you will notice they are out of line quite a lot. But as you push on the centre joint the holes begin to line up with the arch and the bolts can be pushed in.



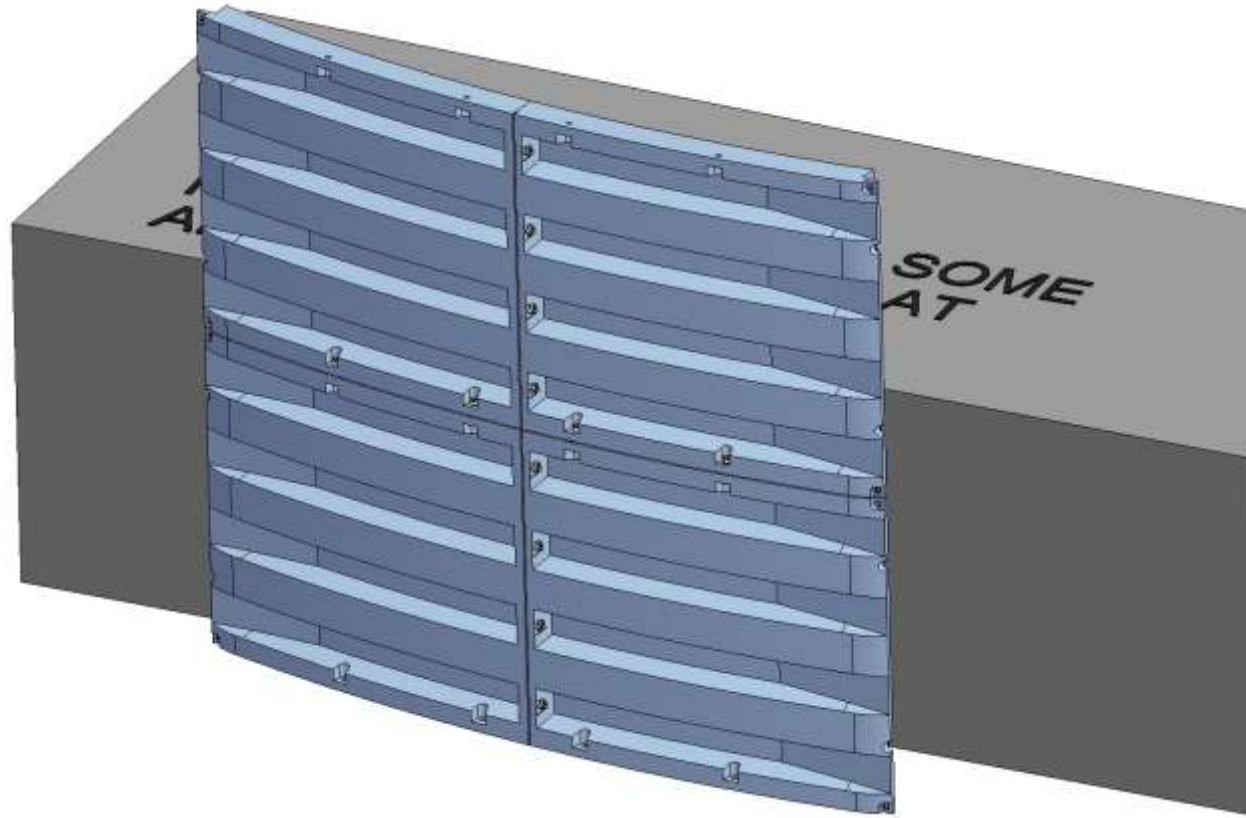
Now when you look at the two remaining bolt holes which also secure the arch you will notice they are out of line quite a lot. But as you push on the centre joint the holes begin to line up with the arch and the bolts can be pushed in.



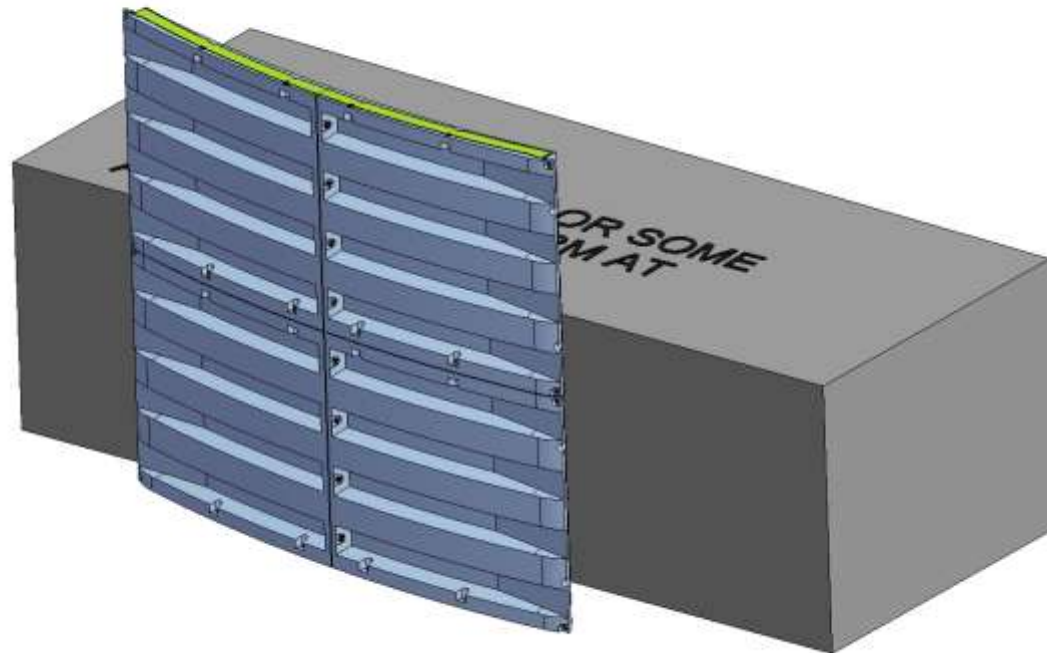
Now when you look at the two remaining bolt holes which also secure the arch you will notice they are out of line quite a lot. But as you push on the centre joint the holes begin to line up with the arch and the bolts can be pushed in.



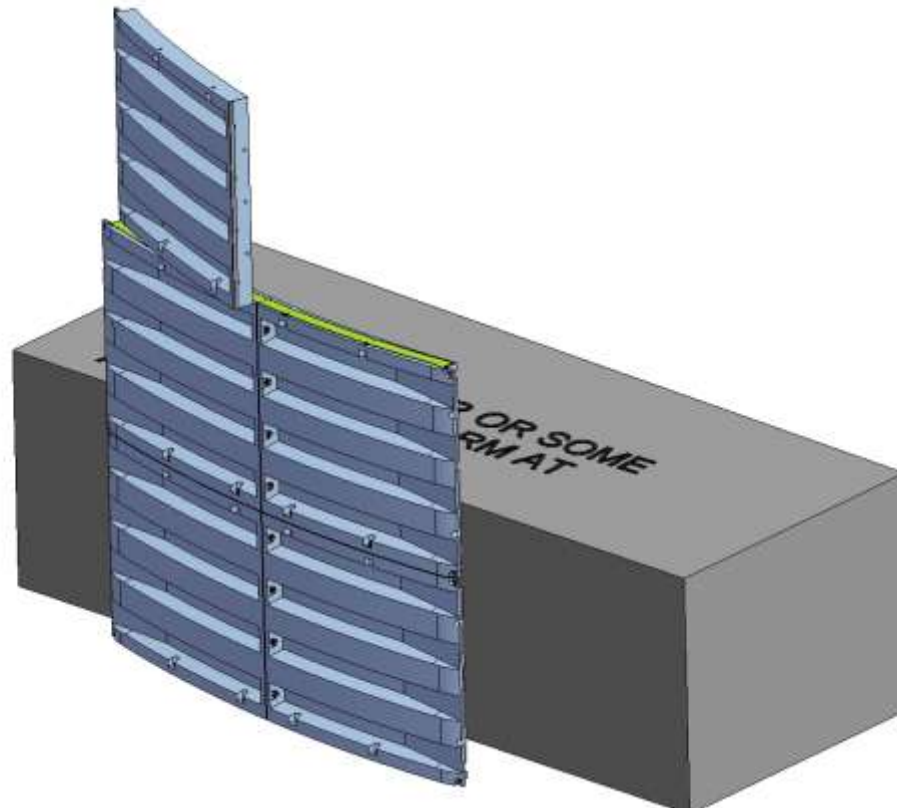
Now when you look at the two remaining bolt holes which also secure the arch you will notice they are out of line quite a lot. But as you push on the centre joint the holes begin to line up with the arch and the bolts can be pushed in.



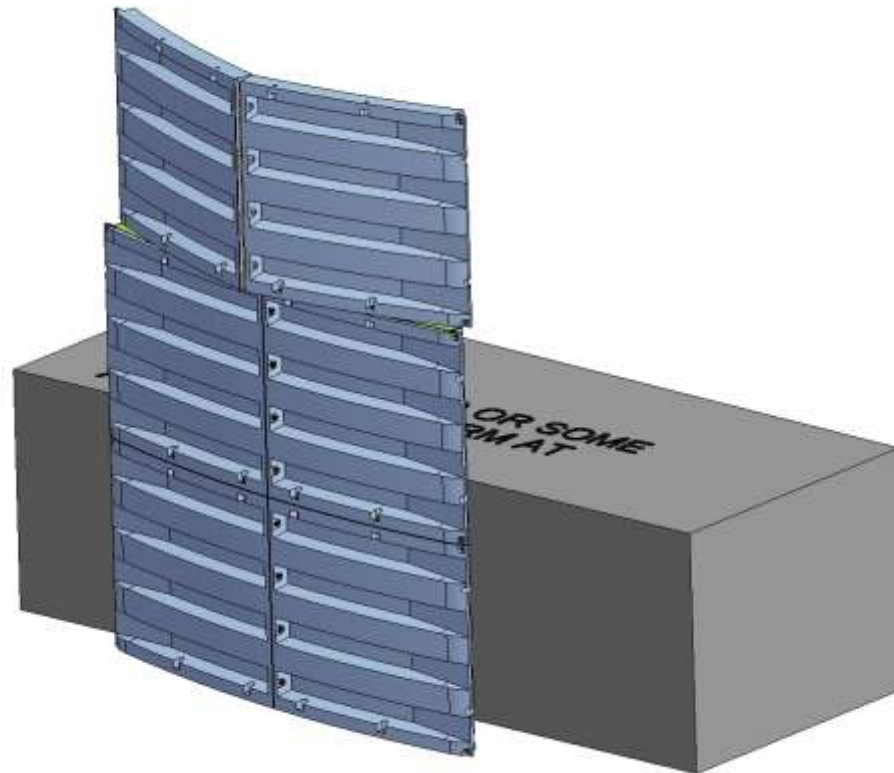
These two sections are now complete, leave **all** joint bolts loose and repeat the previous steps for the last two lids.



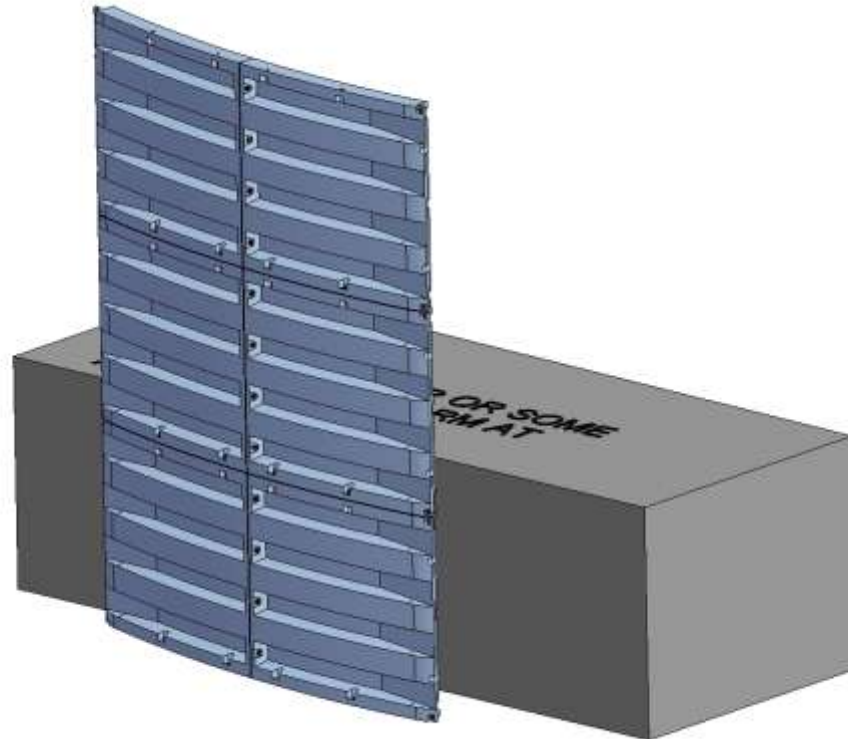
These two sections are now complete, leave **all** joint bolts loose and repeat the previous steps for the last two lids. Insert the arch on end two bolts.



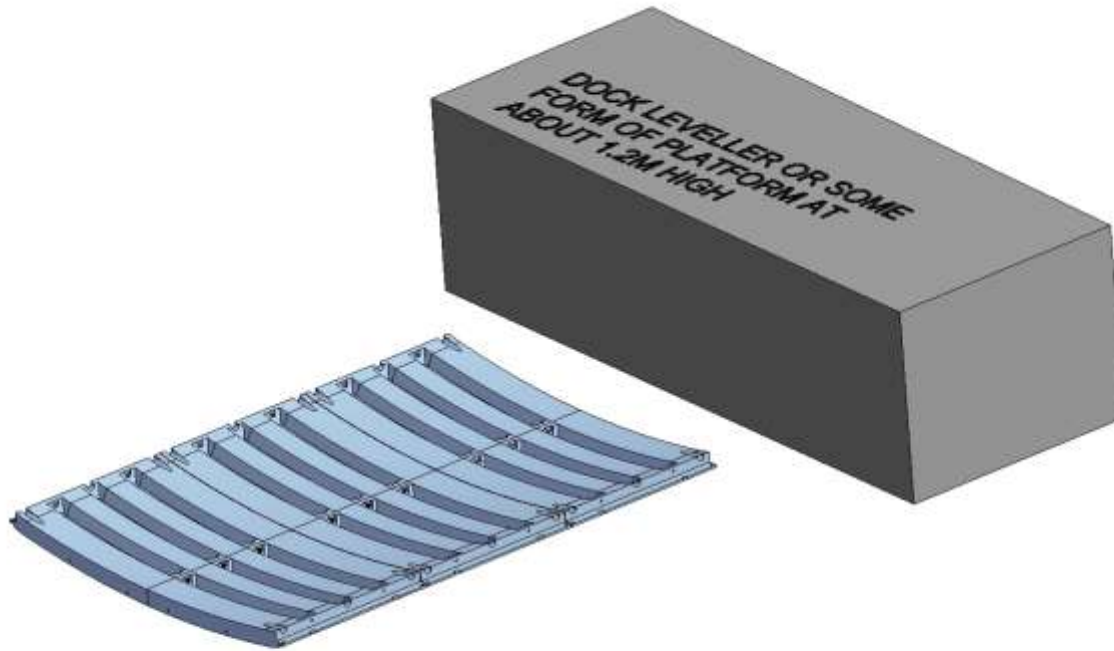
Attach the fifth lid. Complete with side and base seal strips onto the bolt and leave as shown.



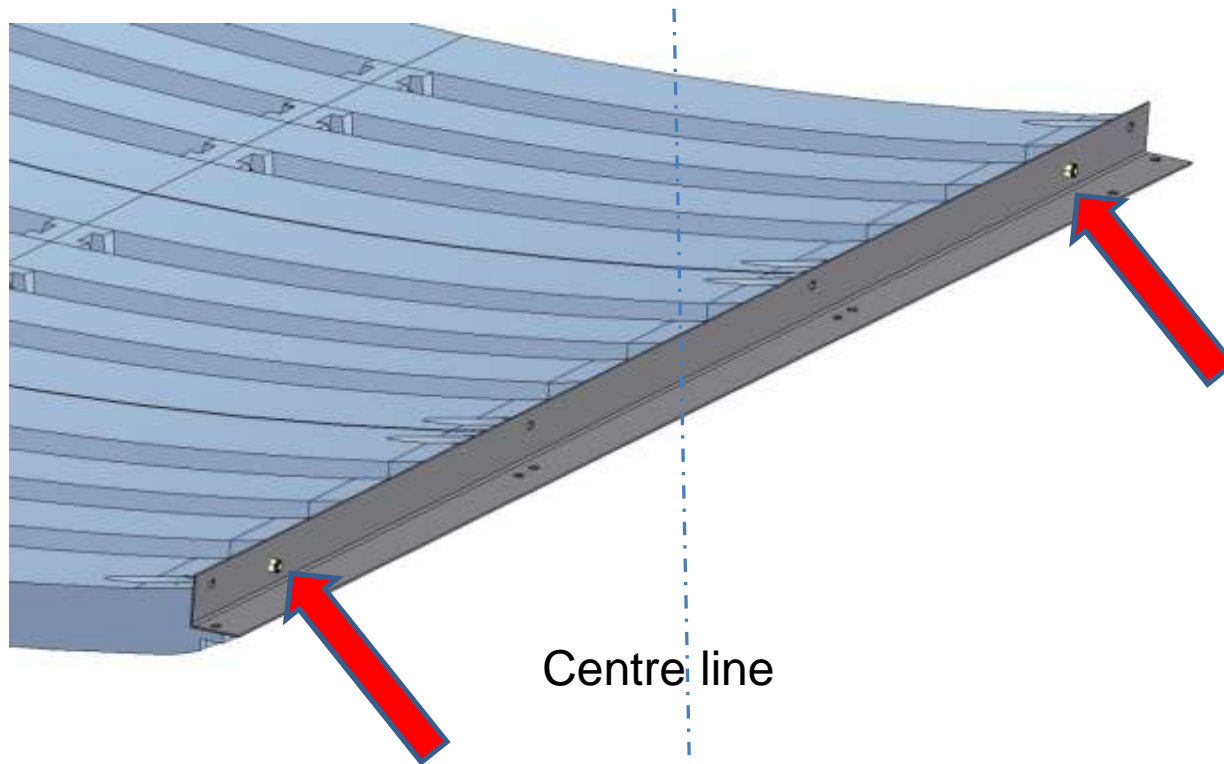
Attach the sixth lid. Complete with base seal strip onto the bolt and leave as shown.



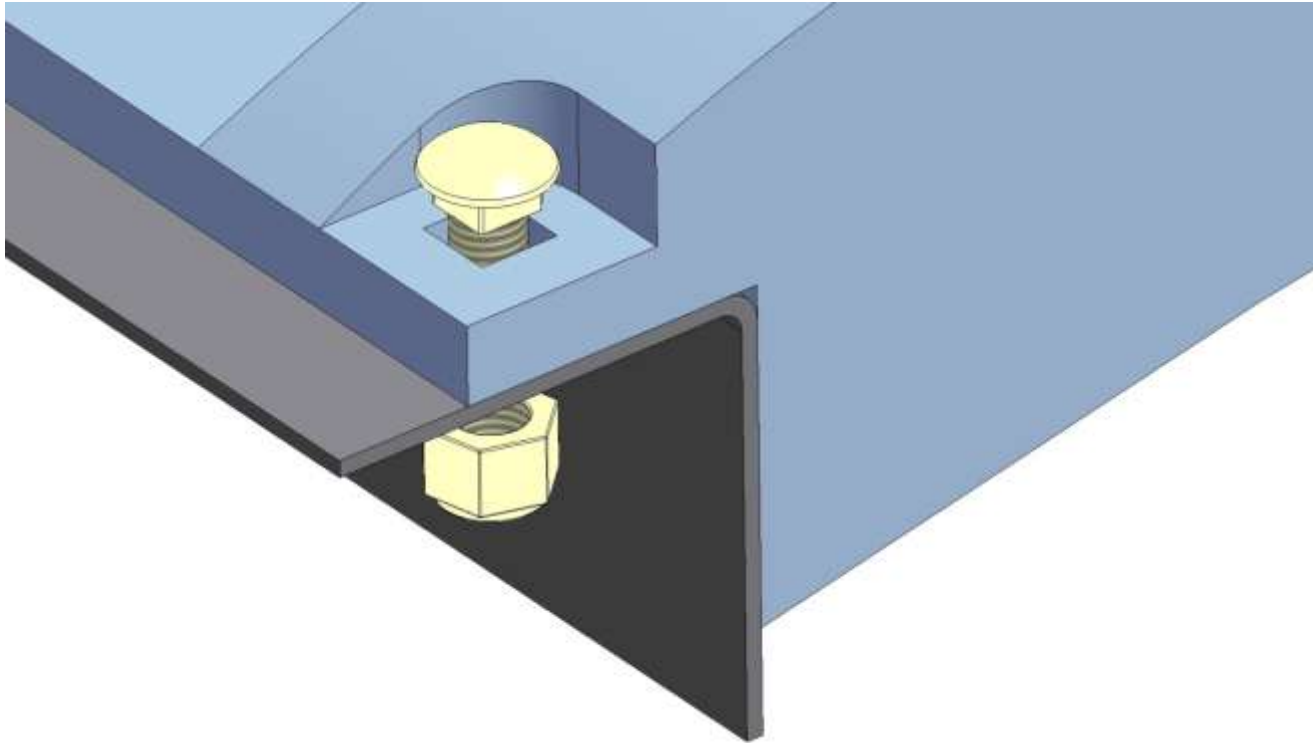
Insert all vertical joint bolts loosely and then push inwards the centre section joint as before until the arch bolt holes line up. Fit these two bolts and then complete assembly can be tightened up on bolts.



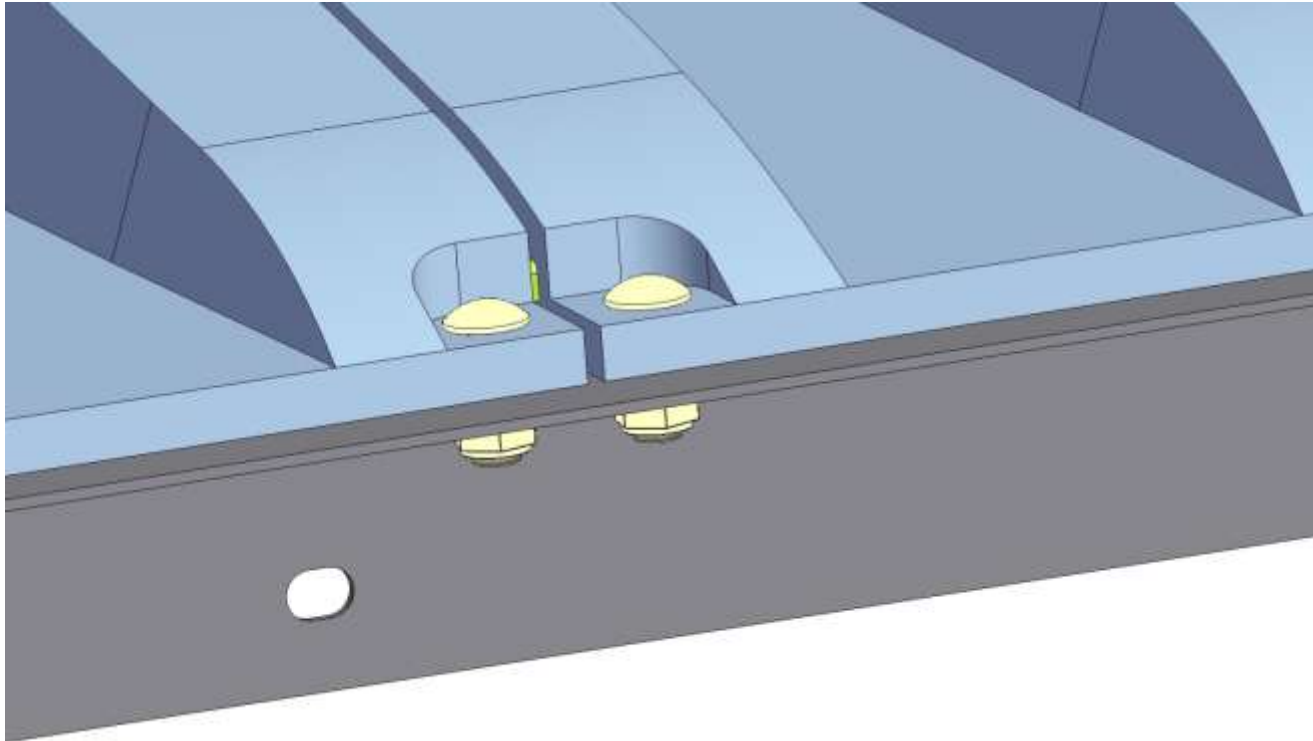
With all bolts tightened lay assembly on its back and prepare to fit the hardware.



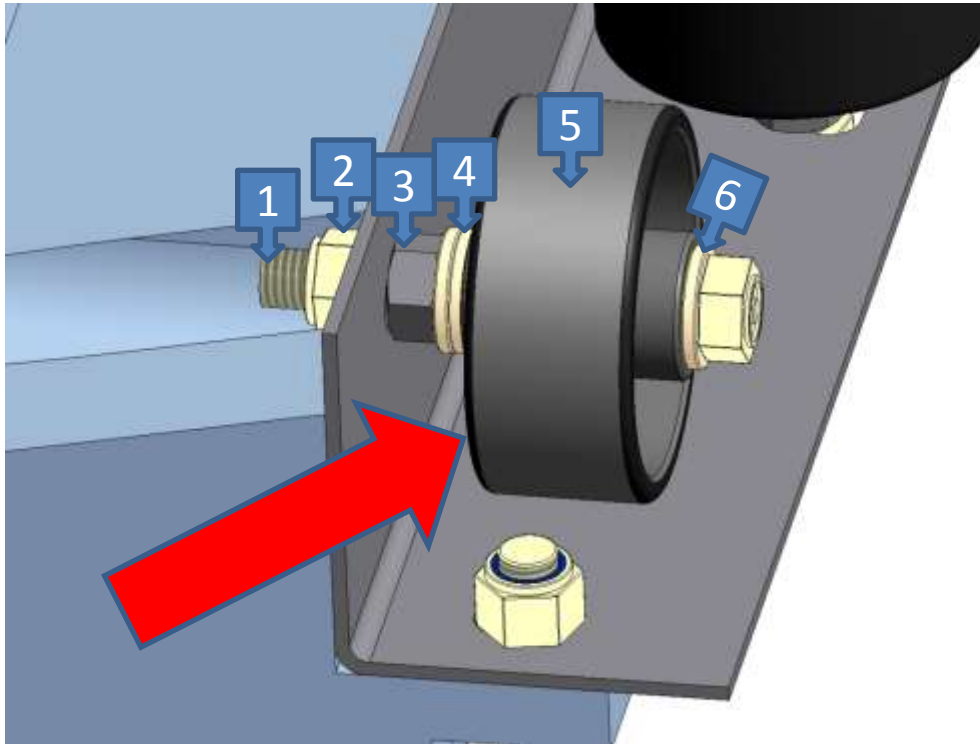
Fit the side angle, (this is symmetrical through centreline) with the two bolts as shown.



Fit the side angle lid retaining bolts, these are "coach bolt" type and are pushed into the square recesses (this prevents turning) and fit nut as shown.

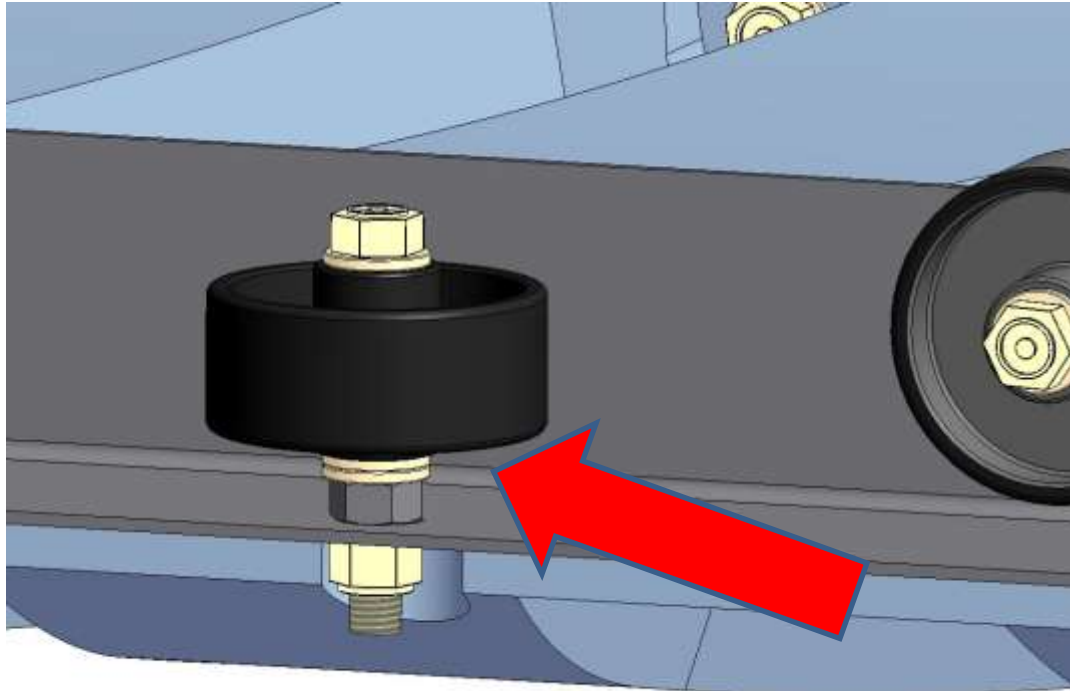


Fit the side angle lid retaining bolts, these are "coach bolt" type and are pushed into the square recess (this prevents turning) and fit nuts as shown.

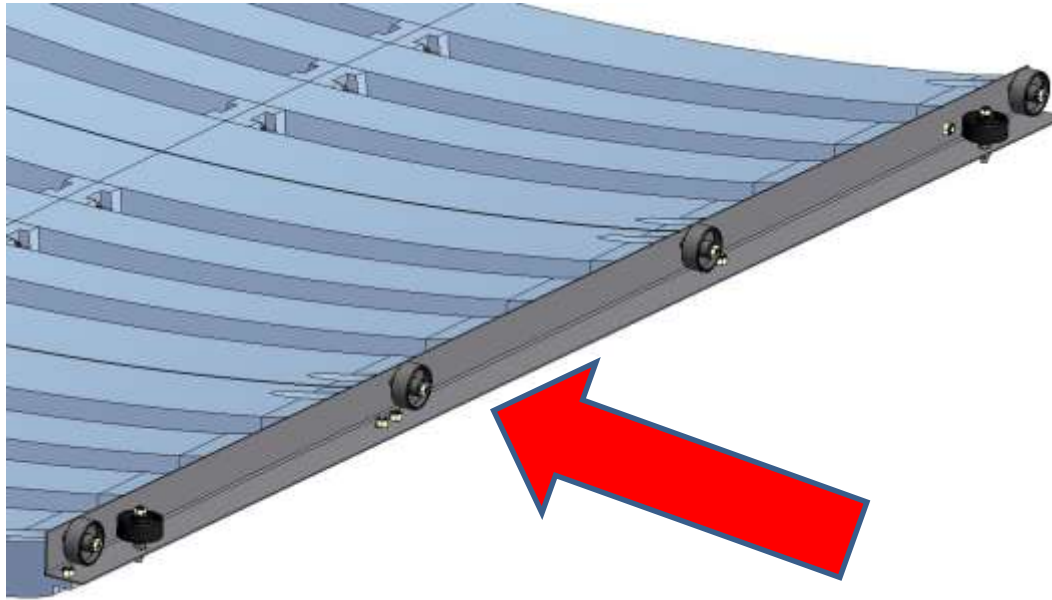


No	NAME
1	WHEEL BOLT M12 X 90mm
2	M12 NYLOC NUT
3	M12 Std NUT
4	2 x M12 WASHERS
5	RUBBER TYRED WHEEL
6	1 x M12 WASHER

Once all lid bolts are in and tightened, fit the vertical (tyred) wheels as in picture. The fitting bolt and washer configuration is same on all wheels.



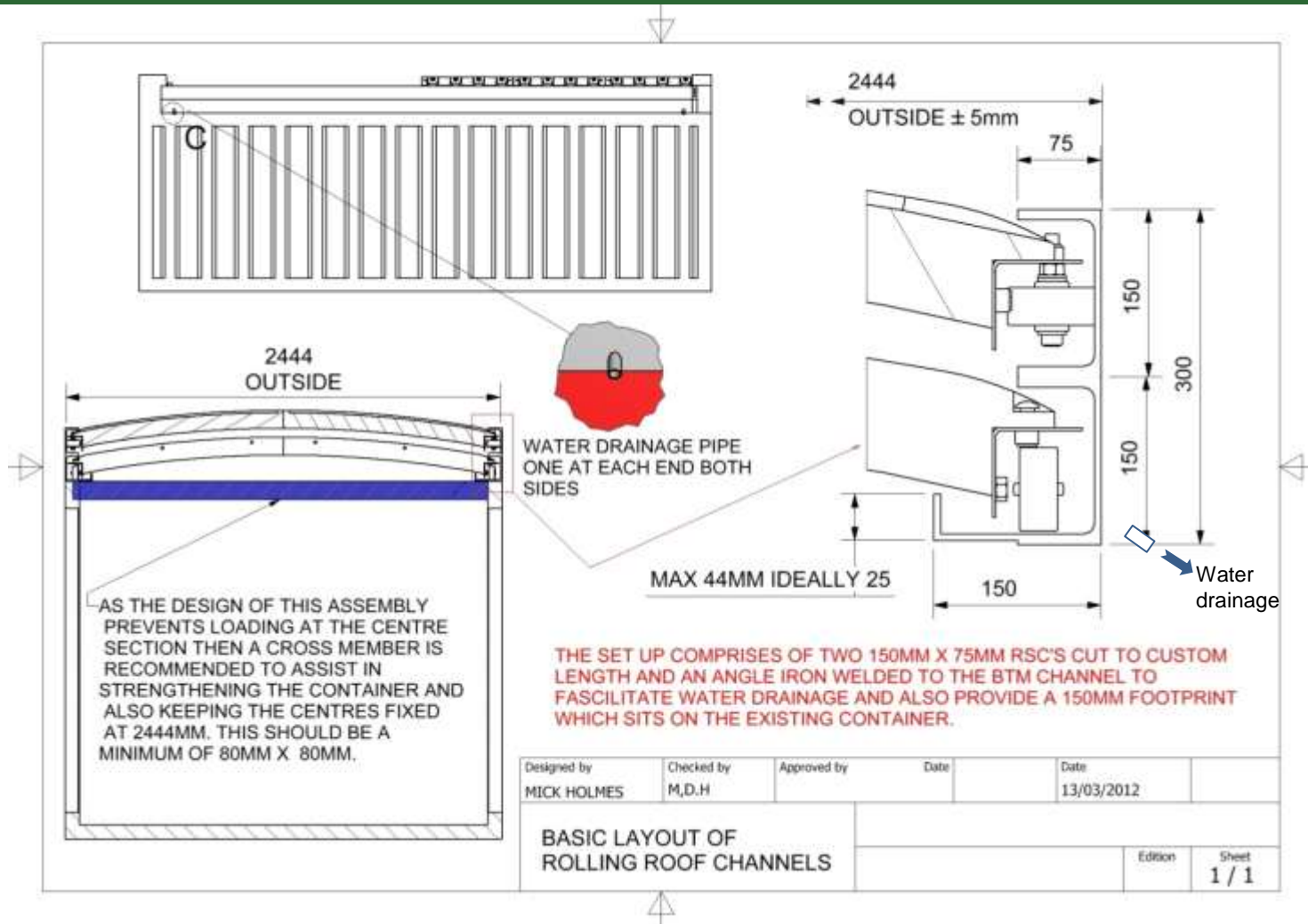
Once vertical wheels are in, fit the horizontal (all polypropylene) wheels as in picture. The fitting bolt and washer configuration is same on all wheels.



Once angle, bolts and all six wheels have been fitted onto the lid set, tighten all bolts and repeat on the other side.



This section is now complete and is ready to be assembled in the container channel structure, Please read the dimensional information on next page to ensure channels are built as intended. Handles to suit the container and customer preference need to be ready at this stage.



Two small lengths of pipe need to be welded in at the base of the channel for water drainage, these are ideally positioned at 45° to the base.



First section is then lifted carefully into the end of the container's channel assembly ideally using a fork truck with fork leg extensions.



One man drives the fork-truck and a second man pushes the handle to ensure the **bottom** lid section is entered properly into the channel frames. The handle should be at the furthestmost point from the fork truck.

Container Components Europe Limited
The world lid specialist



Once this lid section is fully home and secure, the top section can be fitted.



This top section is positioned same as first but with handle at the innermost point from the fork truck, this can be used to steady the lid section as its entered.



Once this lid section is fully home and secured, its time to test the lids travel freely, before the channel frame end section is fitted.



The lids should traverse back and forth without snagging, and if so channel frame end section can be fitted. If lids do not travel smoothly you have got something wrong and need to check all dimensions of channels etc. and wheel and handle fittings.

Container Components Europe Limited
The world lid specialist



Depending on the design of your channel frame end section and equipment available. Place this into position safely.

Container Components Europe Limited
The world lid specialist



Once in position secure in place using preferred fasteners.



Final check on lid travel and if OK a job well done!
Please ensure during use no deposits of any kind build up in the channels,
the water drainage is working and no material is tipped on the closed lids by
mistake.



REMEMBER

Please note on using a high container rolling roof, vision of the roof will be poor and so always remember when loading , the lids are always **between the handles.**



Please note on using a high container rolling roof, vision of the roof will be poor and so always remember when loading , the lids are always **between the handles**.



Please note on using a high container rolling roof, vision of the roof will be poor and so always remember when loading , the lids are always **between the handles**.

Container Components Europe Limited

The world lid specialist



If you have any questions or if you need help:

Please feel free to contact us

- **By telephone: 0044 1246 593216**
- **By email: enq@duraflexlids.co.uk**
- **By using the contact form on our website
www.containercomponents.co.uk.**